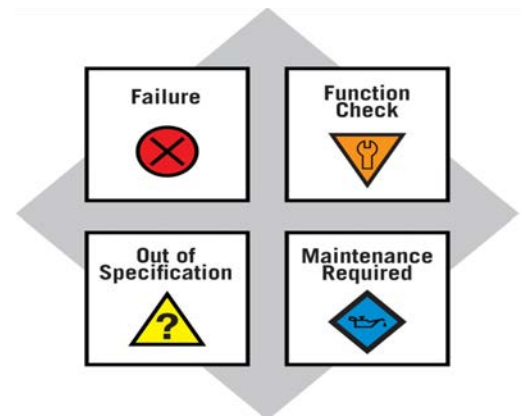
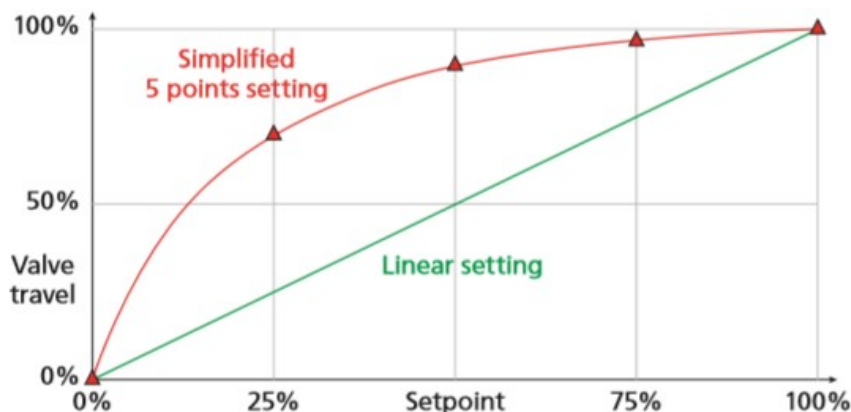




RE20L/R

Linear & Rotary Smart Valve Positioner

RE20 Smart Valve Positioner accurately controls valve stroke in response to an input signal of 4~20mA from the controller. Built-in micro-processor optimizes the positioner's performance and provides unique functions such as Auto-Calibration, PID Control.



- ◆ Compact design for linear and quarter-turn rotary actuators
- ◆ Single and double acting layouts are available
- ◆ Gauge manifold as option to keep the unit as compact as possible when gauges are not required
- ◆ Position feedback 4-20 mA analogue available on request
- ◆ Reduced air consumption.
- ◆ Variable orifice is applied: in case of small actuator the hunting is controlled to the optimum condition during operation.
- ◆ Adjustment of Valve characteristics (Linear, Quick open, Equal percentage) is available.
- ◆ Tight Shut-Close and Shut-Open can be set voluntarily.
- ◆ PID parameters can easily adjusted in the field without additional communicator.
- ◆ The pressure of Air filter regulator is sent to Actuator directly with using A/M switch.
- ◆ Split range such as 4-20mA, 12-20mA is available.
- ◆ Setting Zero and Span as partial section is available by Hand Calibration function.


TECHNICAL DATA

MOUNTING	ISO reccomanded mounting bracket
PROTECTION CLASS (acc. To EN 60529)	IP66
MINIMUM CURRENT SIGNAL	3,2 mA (std)
IMPEDANCE	Max 500Ω / 20mA DC
INPUT SIGNAL	4 ÷ 20 mA DC
SUPPLY PRESSURE	1,4 ÷ 7 bar / 20 to 102 Psi
STROKE	RE20L - Linear type : 10÷150 mm (0.4 - 6") RE20R - Rotary Type : 0÷110° Deg
PNEUMATIC CONNECTIONS	1/4"NPT
CONDUIT	G1/2
REPEATABILITY	±0.3% F.S.
HYSTERESIS	±0.5% F.S.
LINEARITY	±0.5% F.S.
SENSITIVITY	±0.2% F.S.
AIR CONSUMPTION	2 l/min supply 1,4 bar
FLOW CAPACITY	70 l/min supply 1,4 bar
OUTPUT CHARACTERISTIC	Linear / EQ% / Quick Open
AMBIENT TEMPERATURE	-30÷85°C / -22 to +185°F
BODY & COVER MATERIALS	Housing : Alluminium Cover : Polycarbonate
WEIGHT	1.7 Kg (3.7 lb)

Calibration?



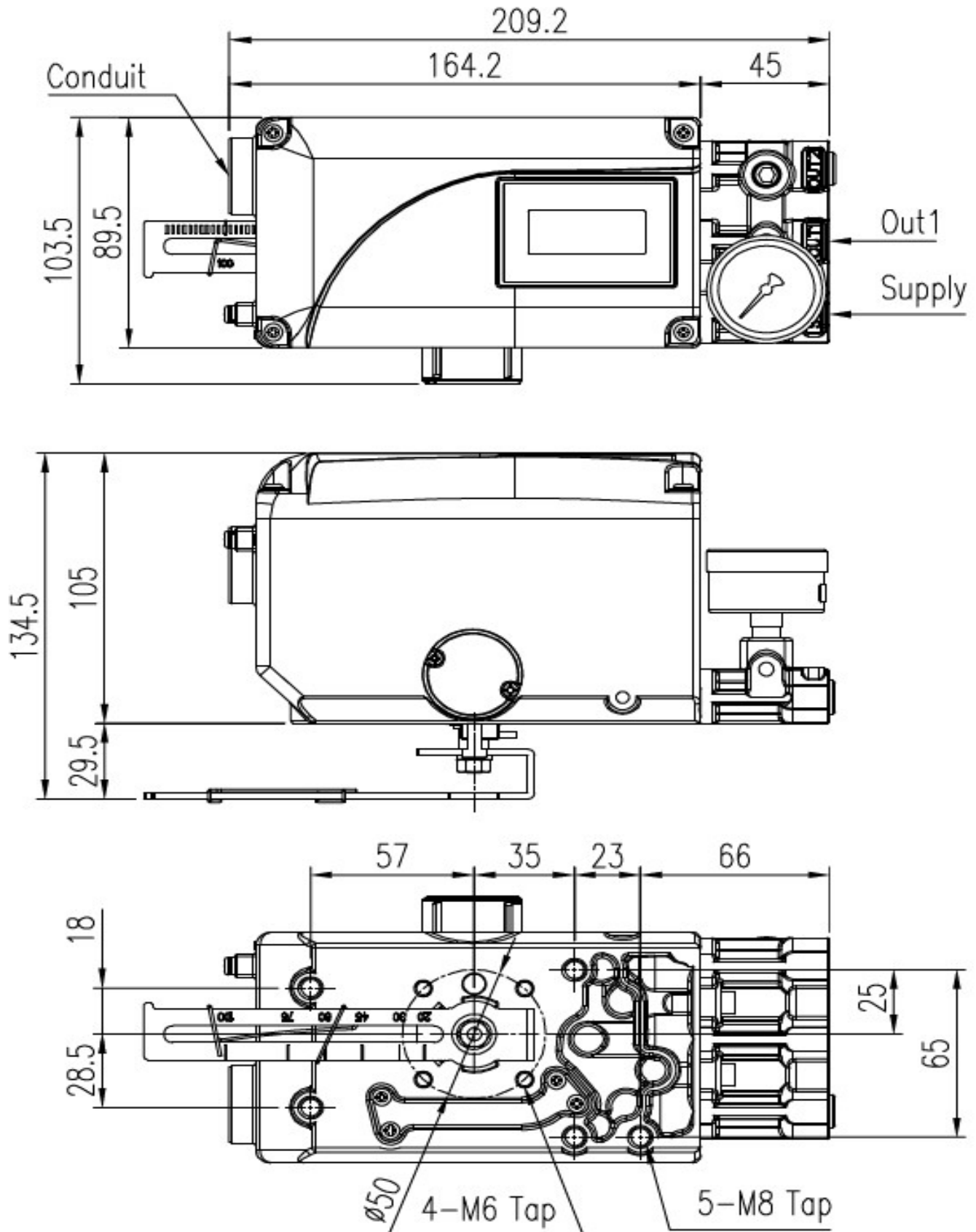
just pressing a button

- ◆ Very simple auto calibration method (just pressing a button)
- ◆ Smart management system clear and easy to navigate menu with four push buttons



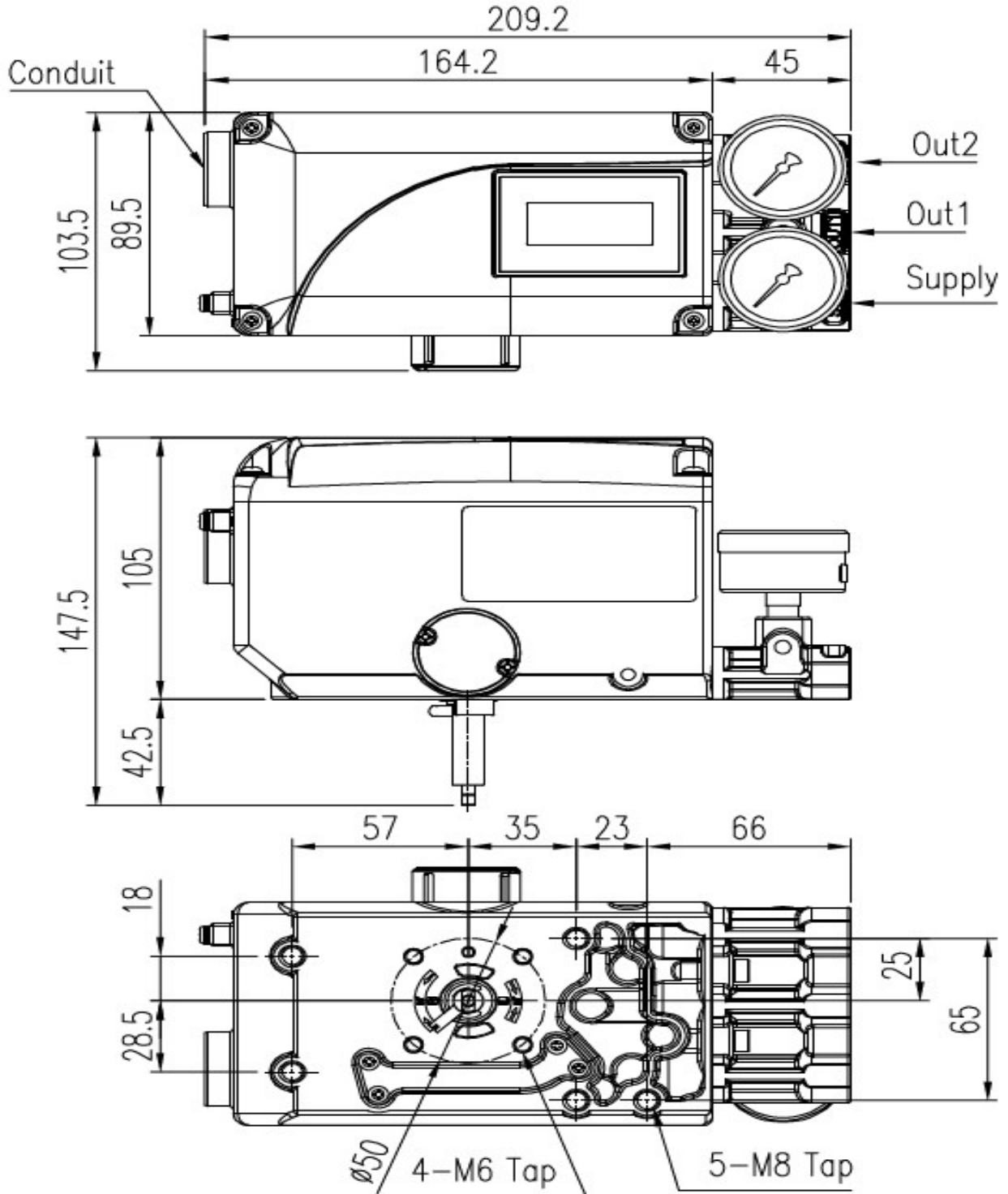
RE20 DIMENSIONS

RE20L - Linear type





RE20R - Rotary type



The contents of this publication are presented for information purpose only. We reserve to modify or improve the designs or specifications of such products at any time without notice

OMC S.p.A.

Via Galileo Galilei, 18 - 20051 - Cassina de Pecchi (MI) - ITALY

Tel.: (+39) 02.95.28.468 - Fax: (+39) 02.95.21.49 - info@omcvalves.com - www.omcvalves.com