

Adjustable Choke [VAC]

Standard: API 6A

DN 50 (2 1/16)

Working pressure 2000 ÷ 5000 psi

Applications

- Adjustable Choke is intended for flowing fluid control. The use of this valve makes possible to control fluid flowline size, to avoid unnecessary erosion and damage caused by turbulence through the flowing system. It is equipped with an indicator showing actual diameters of ring-shaped area between seat and disc, and it serves as the basic for calculating flow area size.

Materials

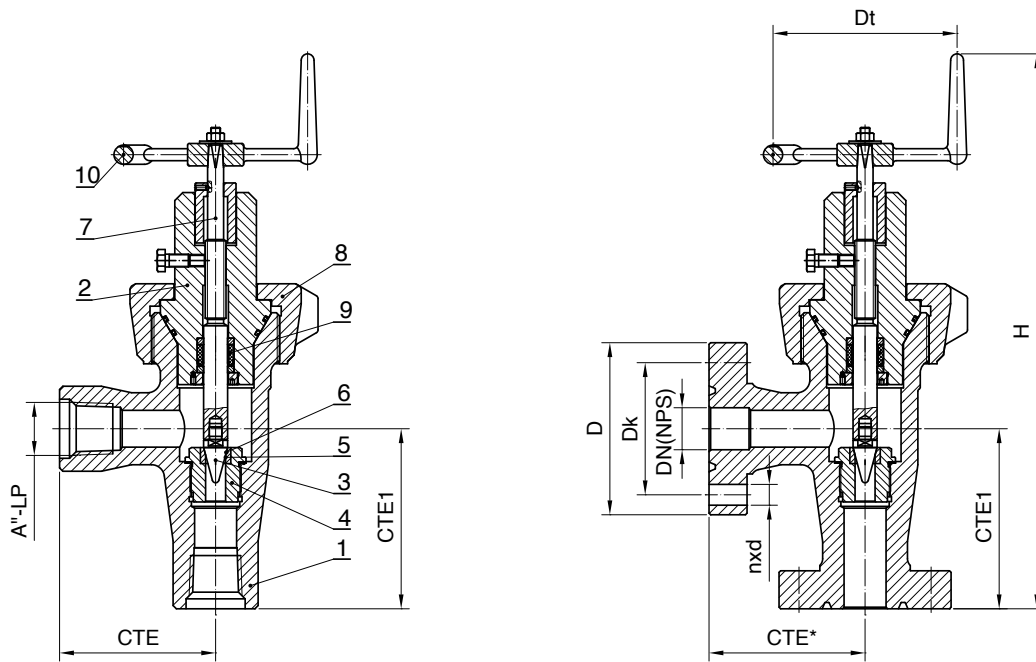
- Body, bonnet and bonnet nut are of alloyed Chromium-Molybdenum (Cr-Mo) steel or stainless steel. Plug, body seat ring and stem are made of stainless steel with a minimum of 13% Chromium. The Bonnet gasket is made of VITON.

Production and delivery

- Adjustable Choke is designed and manufactured in accordance with API Spec. 6A, product specification level PSL 1 (PR 1). Dimensions of the flange connections are according with API Spec. 6A/type B Ring Joint, threaded ends according to API Std. 5B. Centre-To-Face and Centre-To-End dimensions are according to manufacturer standard. Quality control is according to API Spec. 6A.

Instruction for Installation

- Before installation and first run connecting pipeline should be thoroughly cleaned of foreign particles that may damage the seating surface.



Drawing A.8.1 Parts and dimensions

List of materials

Table A.8.1

Item	Part	Material Class acc. to API 6A Spec.	
		AA,BB,DD ^{a)} ,EE ^{a)}	CC,FF ^{a)}
		Temperature class acc. to API 6A Spec.	
		K ÷ V (-60°C up to 121°C)	
1	Body	A487 4A	A217 CA 15
2	Bonnet	A487 4A	A217 CA 15
3	Plug	A182 F6a	
4	Body Seat Ring	A182 F6a	
5	Trim	Ring Seat	13Cr - hardened
6		Plug Seat	13Cr - hardened
7		Stem	A276 T420 -nitrided
8	Bonnet Nut	A487 4A	A217 CA 15
9	Stem Packing	PTFE + VITON	
10	Handwheel	cast steel	

a) In compliance with NACE MR 0175

[VAC] Dimensions

Table A.8.2

2000 psi (140 bar)											
DN (NPS)	A	D	Dk	H	d	n	CTE/CTE*	CTE1	Dt	CTE*	CTE
		(mm)									(kg)
50 (2 1/16). 2000 psi	2	165	127	675	19	8	180	205	230	73	65
3000/5000 psi (210/350 bar)											
50 (2 1/16). 3 / 5000 psi	2	215	165,1	695	26	8	195	225	230	92	72